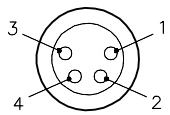
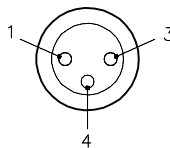
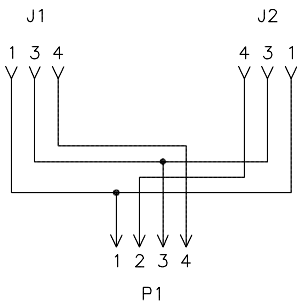
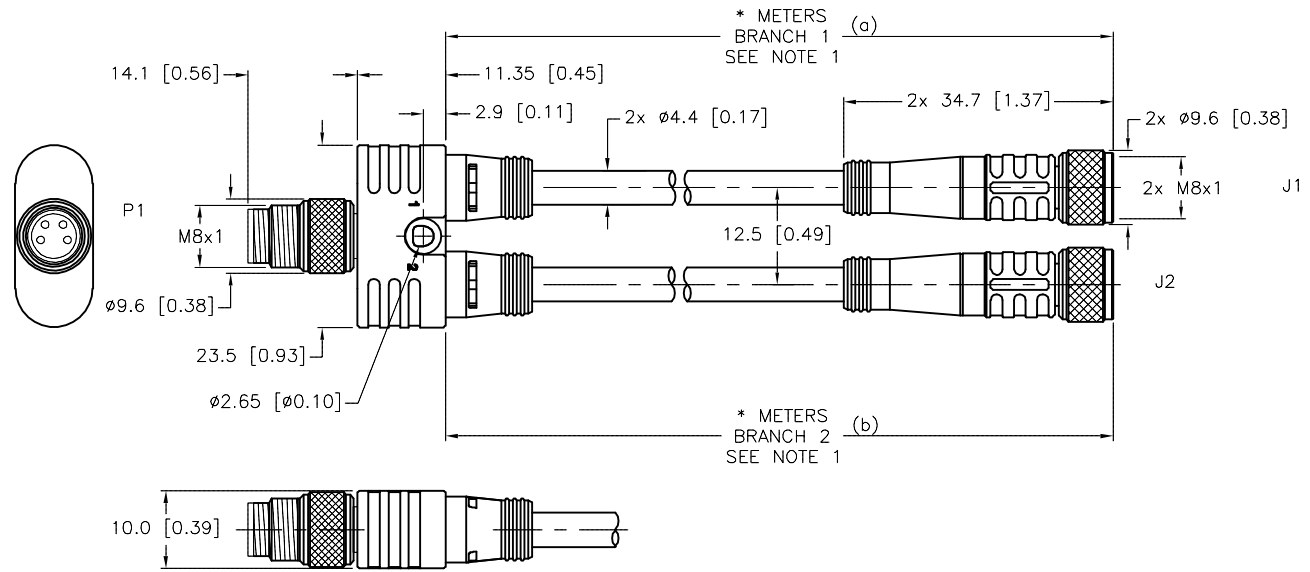


MALE END VIEW	FEMALE END VIEW	WIRING DIAGRAM	SPECIFICATIONS																							
			<table border="1"> <tr><td>CONTACT CARRIER MATERIAL/COLOR</td><td>NYLON OR TPU/BLACK</td></tr> <tr><td>MOLDED HEAD MATERIAL/COLOR</td><td>TPU/YELLOW</td></tr> <tr><td>CONTACT MATERIAL/PLATING</td><td>BRASS/GOLD</td></tr> <tr><td>COUPLING NUT MATERIAL/PLATING</td><td>BRASS/NICKEL</td></tr> <tr><td>RATED CURRENT [A]</td><td>2.0 A</td></tr> <tr><td>RATED VOLTAGE [V]</td><td>125 V</td></tr> <tr><td>OUTER CABLE JACKET MATERIAL/COLOR</td><td>PVC/YELLOW</td></tr> <tr><td>CONDUCTOR INSULATION MATERIAL</td><td>PVC</td></tr> <tr><td>NUMBER OF CONDUCTORS [AWG]</td><td>3x24 AWG</td></tr> <tr><td>TEMPERATURE RANGE</td><td>-40°C to +105°C (-40°F to +221°F)</td></tr> <tr><td>PROTECTION CLASS</td><td>MEETS NEMA 1,3,4,6P AND IEC IP67</td></tr> </table>	CONTACT CARRIER MATERIAL/COLOR	NYLON OR TPU/BLACK	MOLDED HEAD MATERIAL/COLOR	TPU/YELLOW	CONTACT MATERIAL/PLATING	BRASS/GOLD	COUPLING NUT MATERIAL/PLATING	BRASS/NICKEL	RATED CURRENT [A]	2.0 A	RATED VOLTAGE [V]	125 V	OUTER CABLE JACKET MATERIAL/COLOR	PVC/YELLOW	CONDUCTOR INSULATION MATERIAL	PVC	NUMBER OF CONDUCTORS [AWG]	3x24 AWG	TEMPERATURE RANGE	-40°C to +105°C (-40°F to +221°F)	PROTECTION CLASS	MEETS NEMA 1,3,4,6P AND IEC IP67	
CONTACT CARRIER MATERIAL/COLOR	NYLON OR TPU/BLACK																									
MOLDED HEAD MATERIAL/COLOR	TPU/YELLOW																									
CONTACT MATERIAL/PLATING	BRASS/GOLD																									
COUPLING NUT MATERIAL/PLATING	BRASS/NICKEL																									
RATED CURRENT [A]	2.0 A																									
RATED VOLTAGE [V]	125 V																									
OUTER CABLE JACKET MATERIAL/COLOR	PVC/YELLOW																									
CONDUCTOR INSULATION MATERIAL	PVC																									
NUMBER OF CONDUCTORS [AWG]	3x24 AWG																									
TEMPERATURE RANGE	-40°C to +105°C (-40°F to +221°F)																									
PROTECTION CLASS	MEETS NEMA 1,3,4,6P AND IEC IP67																									



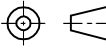

CABLE LENGTH	TOLERANCE*
ALL LENGTHS	+ 4% (OR 50mm) OF LENGTH - 0% (OR 0mm) OF LENGTH WHICHEVER IS GREATER
STRIP LENGTH	TOLERANCE*
0-7mm	±0.5mm
8-29mm	±1.0mm
30-49mm	±2.0mm
50-69mm	±3.0mm
70-100mm	±4.0mm
OVER 100mm	±5.0mm

* UNLESS OTHERWISE SPECIFIED

NOTES:

1. "*" INDICATES CABLE LENGTH IN METERS. CONTACT TURCK TO ORDER SPECIFIC LENGTHS.

SOURCE DRAWING - FOR REFERENCE ONLY

RELATED DOCUMENTS 1. 2. 3. 4.	3RD ANGLE PROJECTION 	THIS DRAWING IS CONFIDENTIAL AND THE PROPERTY OF TURCK INC. USE OF THIS DOCUMENT WITHOUT WRITTEN PERMISSION IS PROHIBITED.	3000 CAMPUS DRIVE MINNEAPOLIS, MN 55441 1-800-544-7769 (763) 553-7300 (763) 553-0708 fax www.turck.us
MATERIAL SEE SPECIFICATIONS FINISH SEE SPECIFICATIONS	ALL DIMENSIONS DISPLAYED ON THIS DRAWING ARE FOR REFERENCE ONLY CONTACT TURCK FOR MORE INFORMATION	DRFT RWC DATE 11/22/06 APVD SCALE 1=1.0 UNIT OF MEASUREMENT MILLIMETER [INCH] DO NOT SCALE THIS DRAWING	 DESCRIPTION YP2-MFS4/2PKG3M-*/*(a)(b) IDENTIFICATION NO. REV D FILE: 777014993 SHEET 1 OF 1

D	UPDATE MALE COUPLING NUT	RDS	05/13/13	401941
REV	DESCRIPTION	BY	DATE	ECO NO.